

REVISIONS

No.	By	Date
1	ME	03.07.07
2	ME	03.10.07
3	ME	04.06.09

DATE: 02.15.2007

DRAWN: ME

SCALE: AS SHOWN

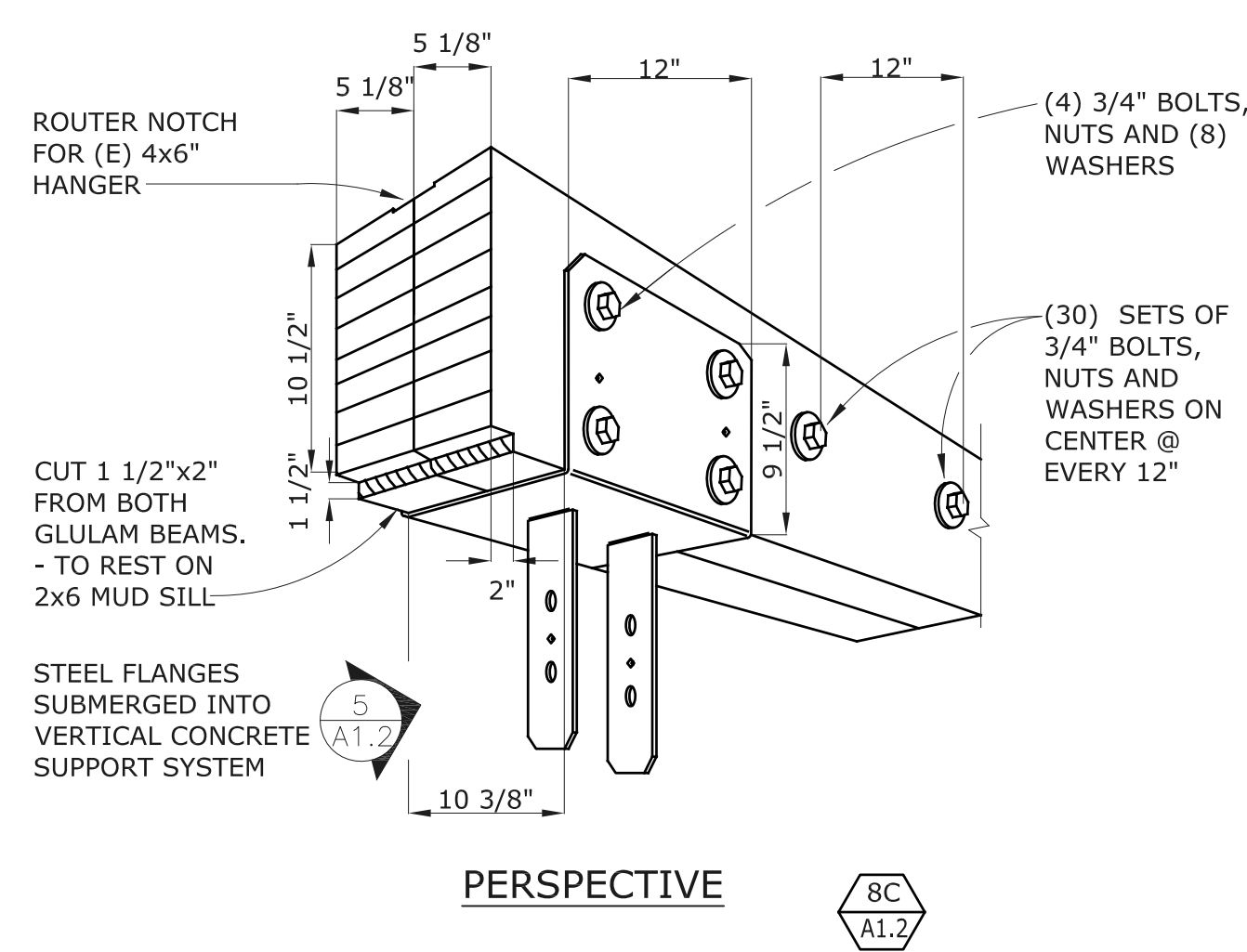
JOB# 2006-01

SHEET NAME:

NEW FOUNDATION
FOOTINGS - NEW
GLULAM BEAMS

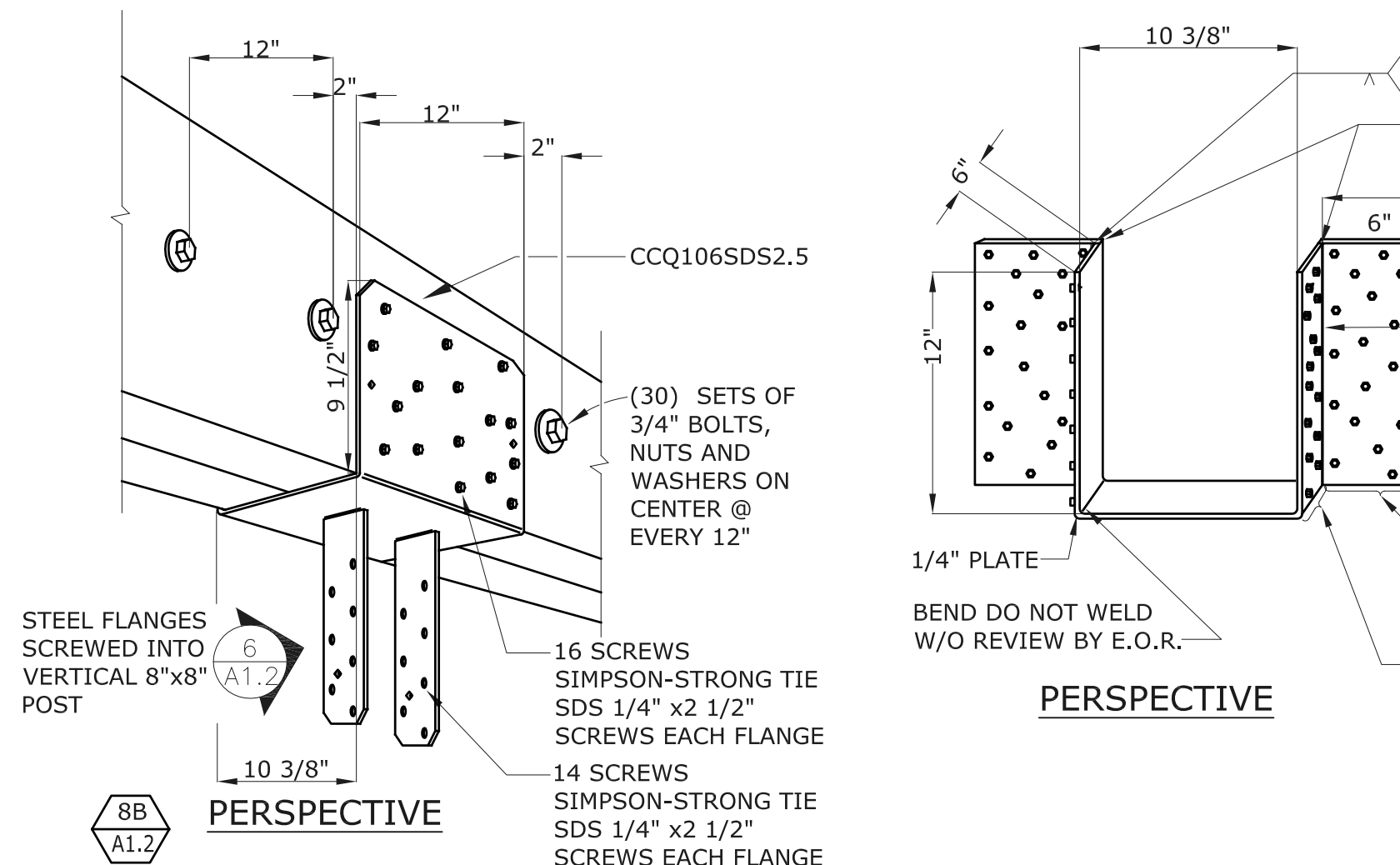
SHEET NUMBER

A1.2



PERSPECTIVE - U HANGERS FOR MAIN 5 1/8" x 12" GLULAM BEAMS

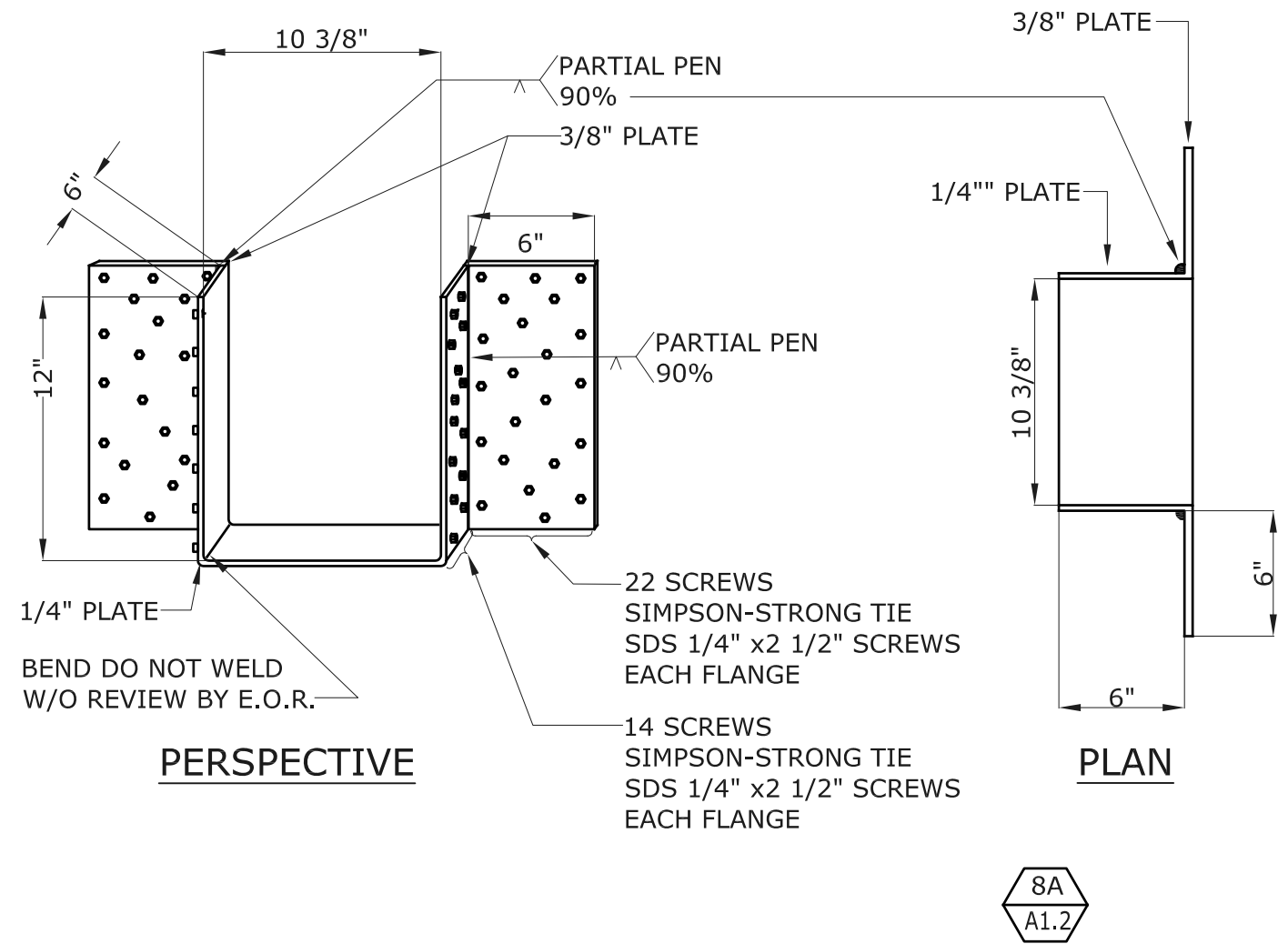
SCALE: 1/4" = 1'-0"
FILE: L:\



PERSPECTIVE

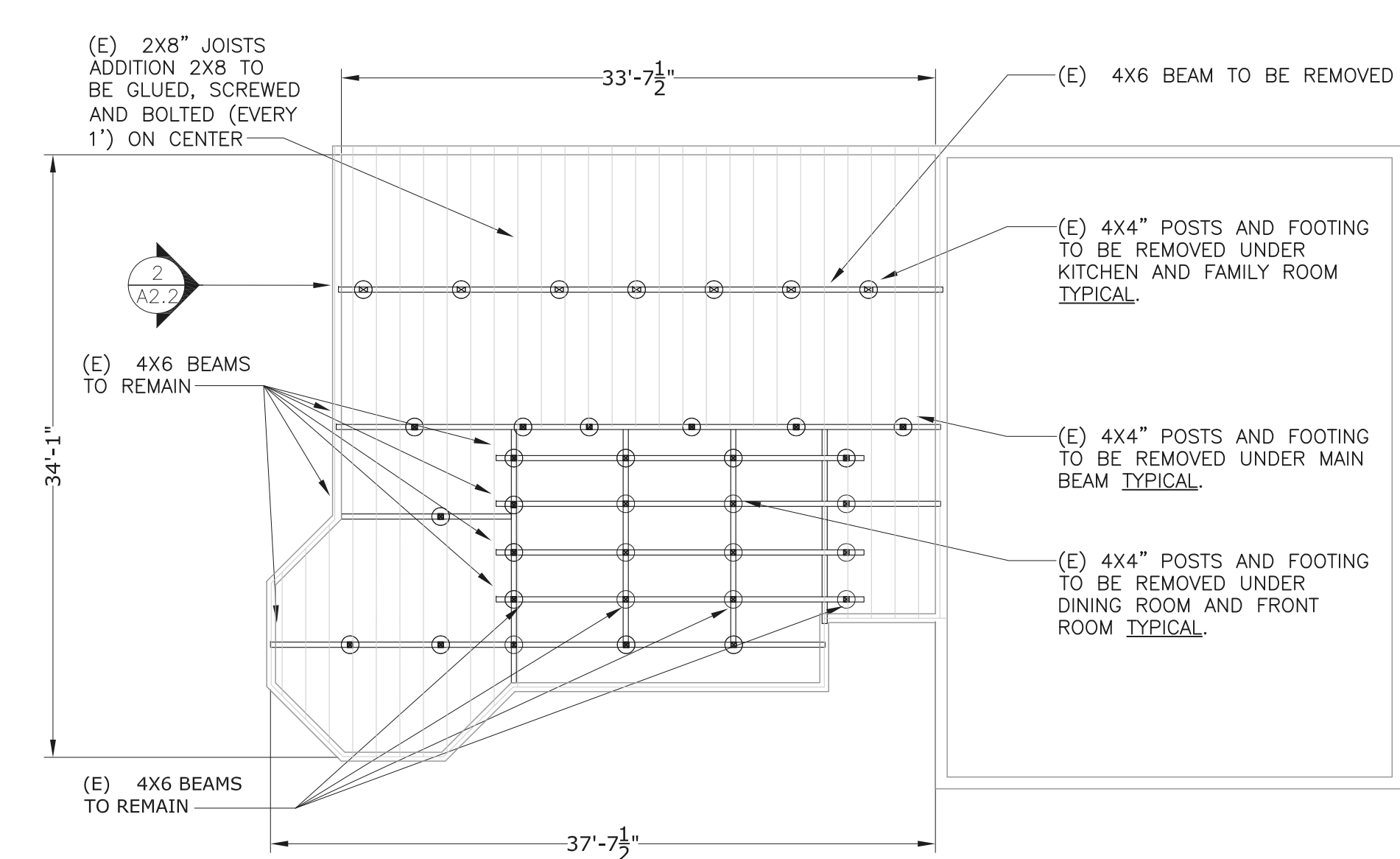
PERSPECTIVE

SCALE: 1/4" = 1'-0"
FILE: L:\



PLAN

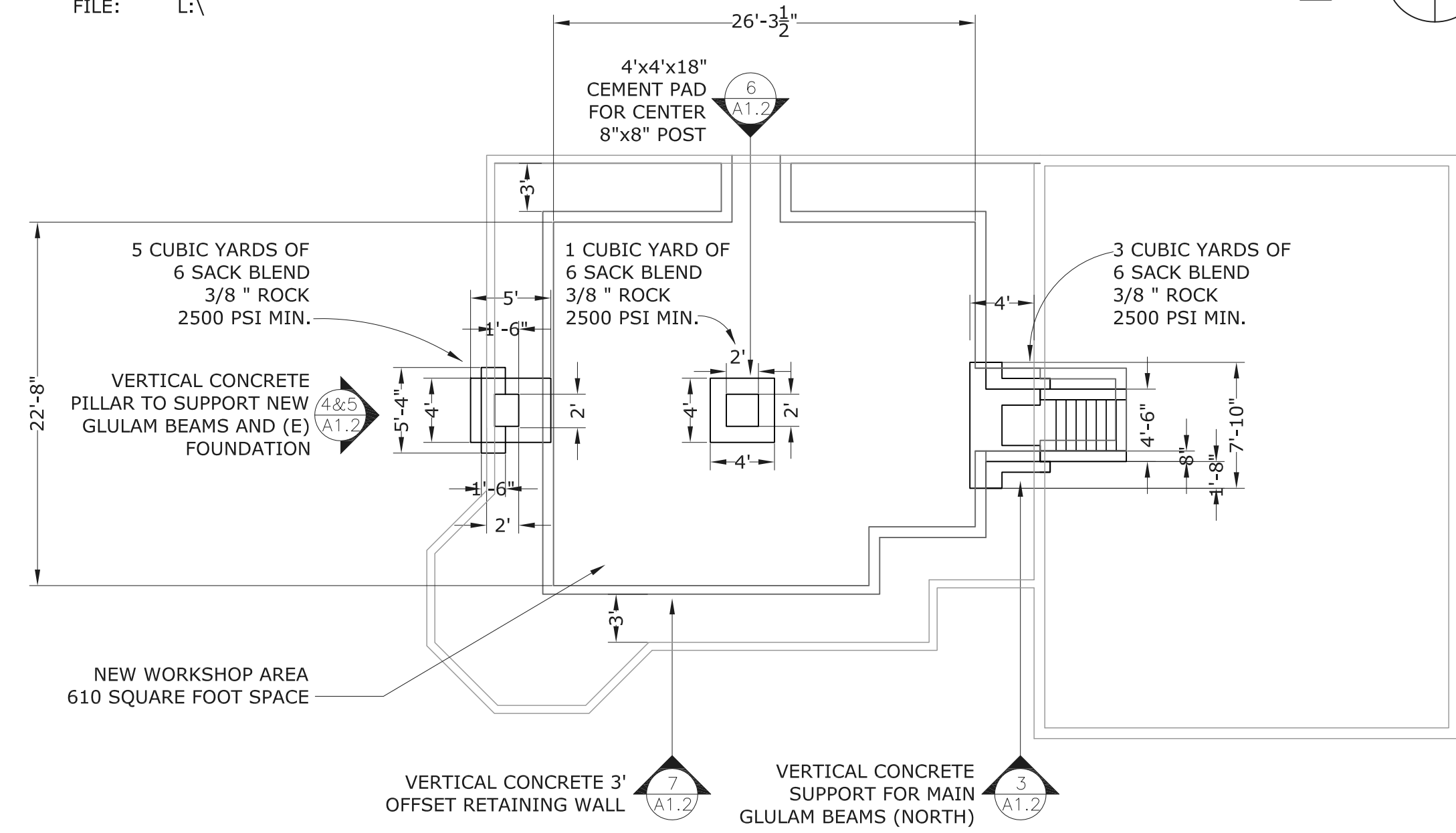
SCALE: 1/4" = 1'-0"
FILE: L:\



EXISTING FRAMING AND FOUNDATION

SCALE: 1/8" = 1'-0"
FILE: L:\

SCALE: 1/8" = 1'-0"
FILE: L:\

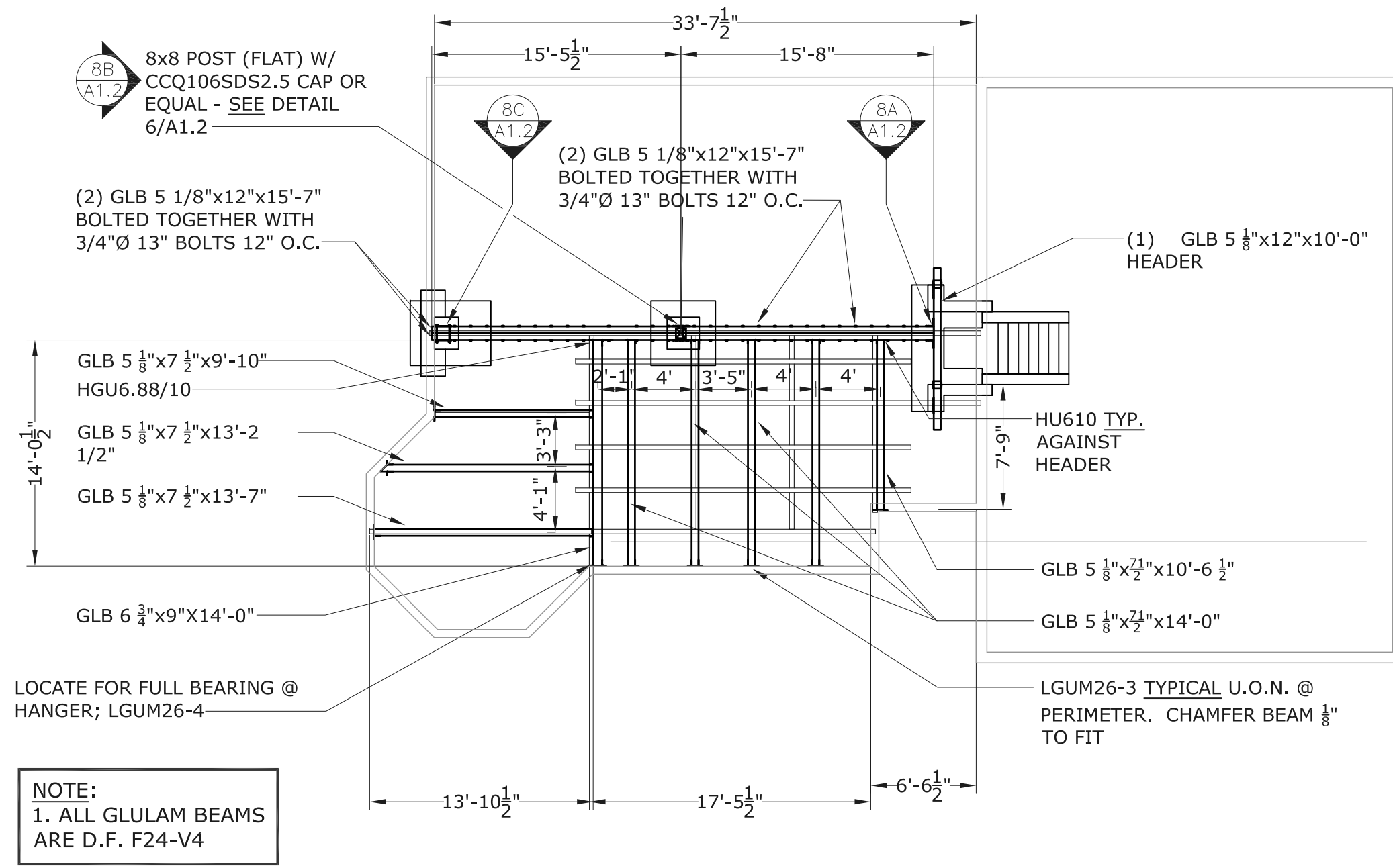


**NEW 3' INNER RETAINING WALL
NEW FOOTINGS - STAIRS/HEADER (NORTH), MAIN POST
(CENTER) VERTICAL COLUMN END (SOUTH)**

SCALE: 1/8" = 1'-0"
FILE: L:\

SCALE: 1/8" = 1'-0"
FILE: L:\

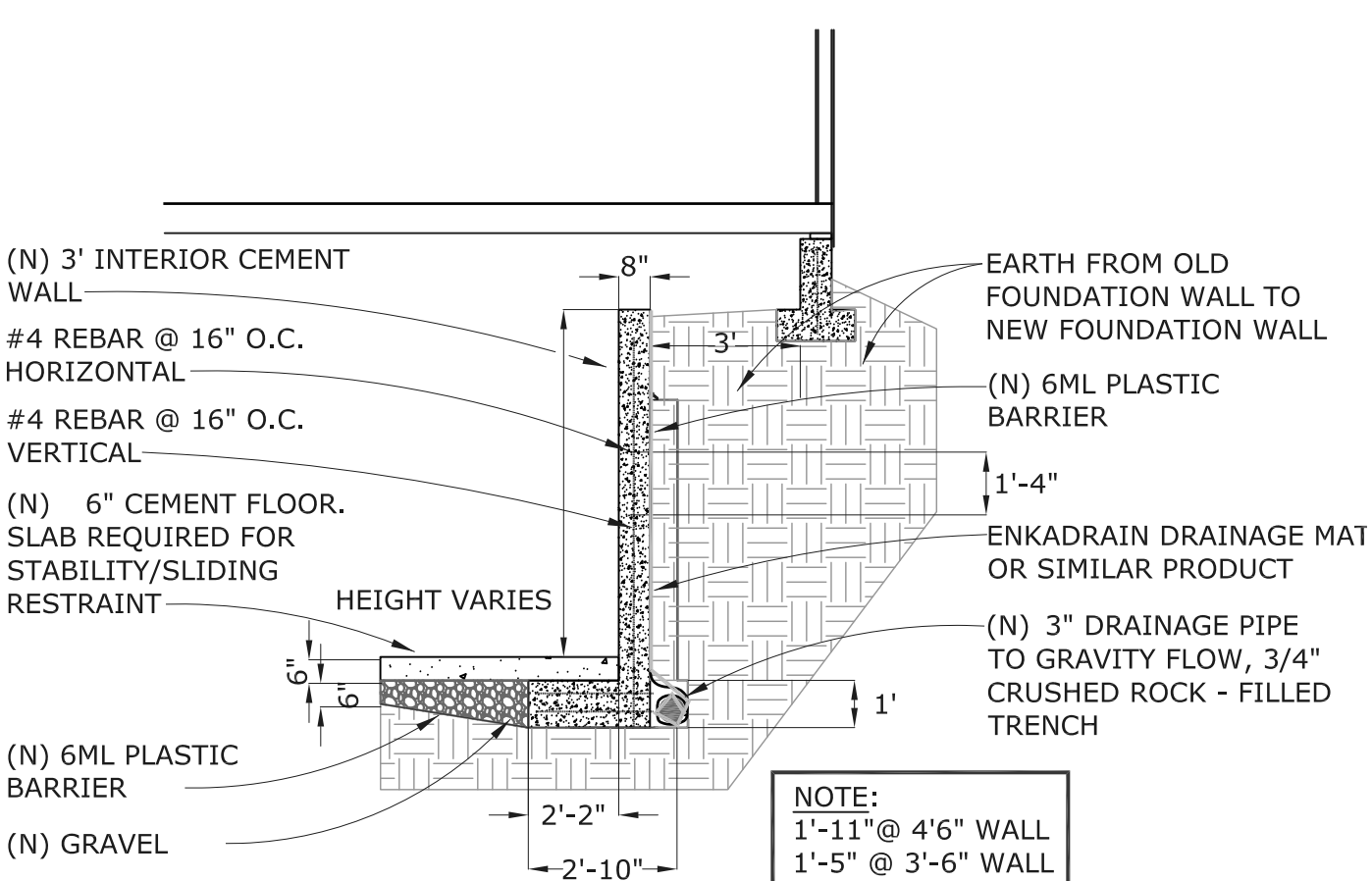
MATERIALS LIST		3/25/2009	
Order	Quantity	Price	Order
5 1/8"x12"x16' glulam-Main	1.00	CC12X-END	
8"x8"x8' post cap	1.00	CCQ106SDS2.5	\$185.50
6"x8"x8' post base	1.00	CB68	\$15.95 ea.
5 1/8"x12"x10' glulam-Header	1.00	CC12X-U hanger	\$150.00
5 1/8"x12"x8' glulam-Head-Yard	2.00	I strap	\$25.00
6 3/4"x9"x14' glulam-dinning	1.00	HGU6.88/10	\$44.82
5 1/8"x7.5"x14' glulam-front rm	5.00	HU610	\$8.23 ea.
5 1/8"x7.5"x14' glulam-entry	1.00	HU610	\$8.23 ea.
5 1/8"x7.5"x10' glulam-K pantry	1.00	HU610	\$8.23 ea.
6"x6"x8' df post cap	2.00	CCQ56SDS2.5	\$65.64
6"x6"x8' df post base	2.00	CB5Q66-SDS2	\$15.95 ea.
(30) 3/4"x12 bolts	30.00		\$3.90 ea.
(30) 3/4" nuts	30.00		\$0.16 ea.
(60) 3/4" washers	60.00		\$0.13 ea.



**NEW GLULAM BEAMS
EXISTING 4x6 FRAMING WITH FOOTINGS SHOWN**

SCALE: 1/8" = 1'-0"
FILE: L:\

SCALE: 1/8" = 1'-0"
FILE: L:\



**DETAIL FOR 3 FOOT OFFSET
INTERIOR WALL**

SCALE: 1/4" = 1'-0"
FILE: L:\

SCALE: 1/4" = 1'-0"
FILE: L:\

**VERTICAL 8"x8" COLUMN
- 4'x4'x18" CEMENT PAD**

SCALE: 1/4" = 1'-0"
FILE: L:\

**SECTIONS - VERTICAL CEMENT
COLUMN MAIN BEAMS (SOUTH)**

SCALE: 1/4" = 1'-0"
FILE: L:\

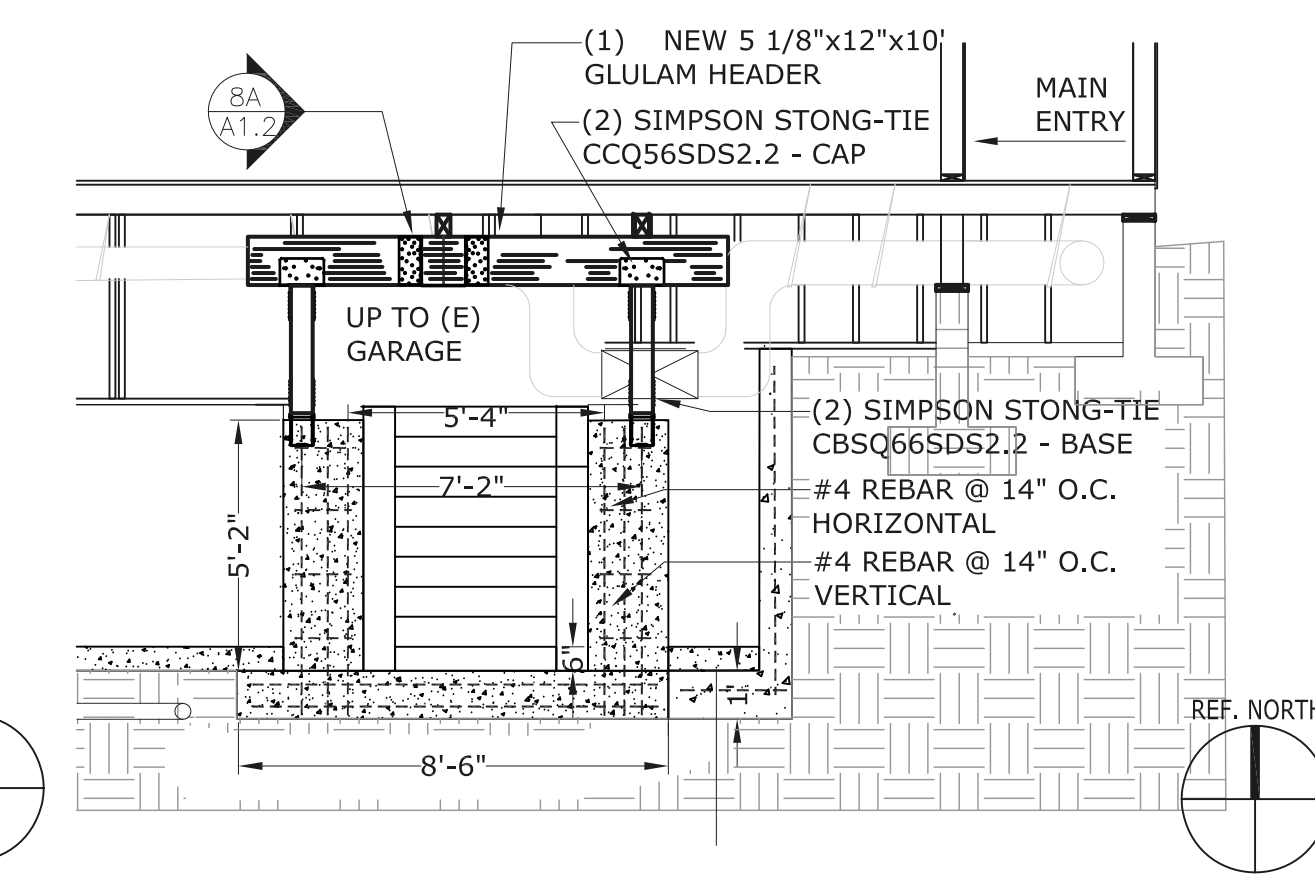
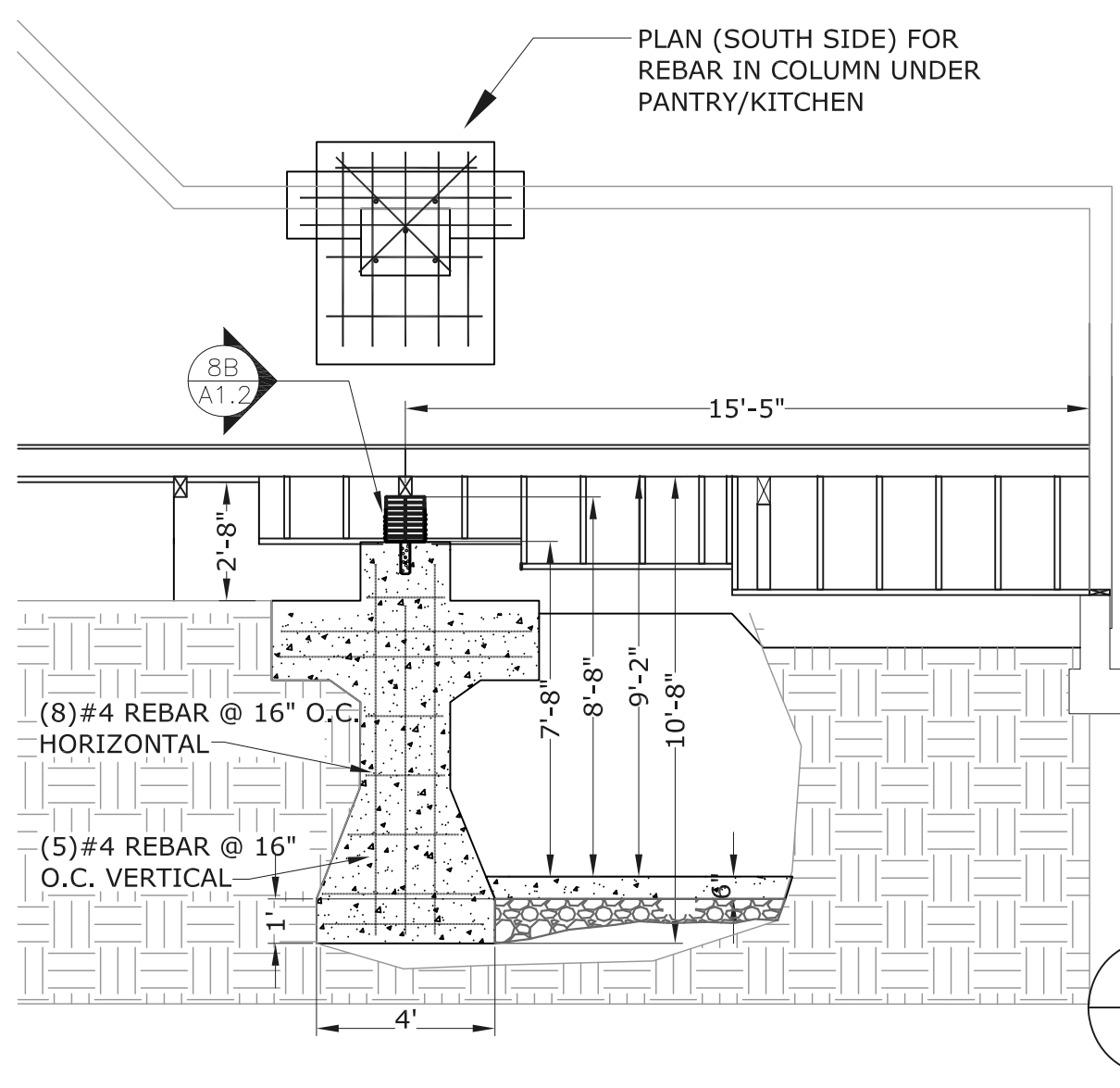
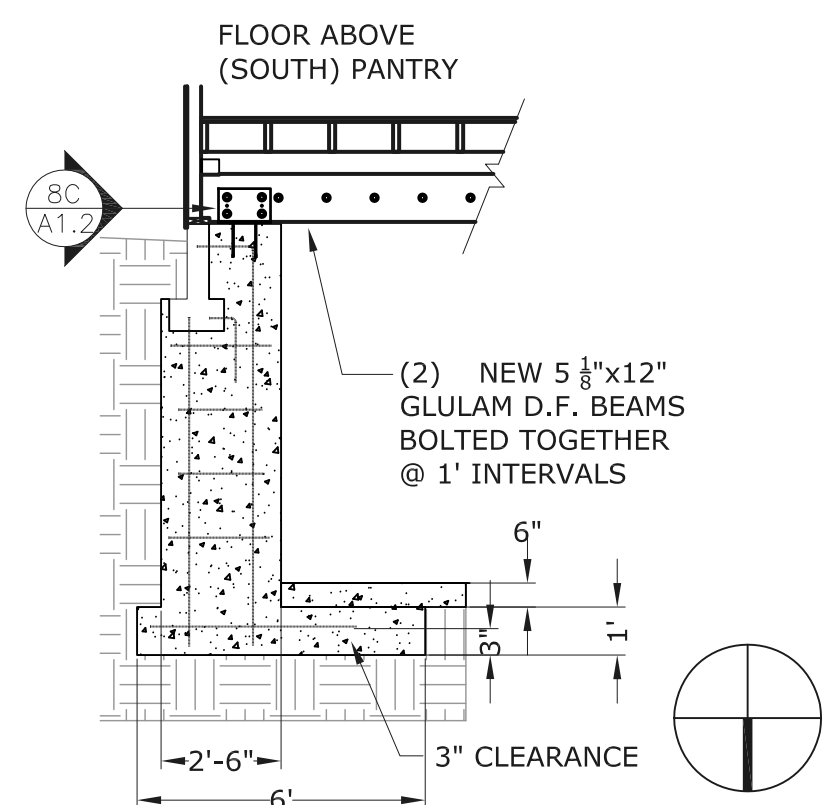
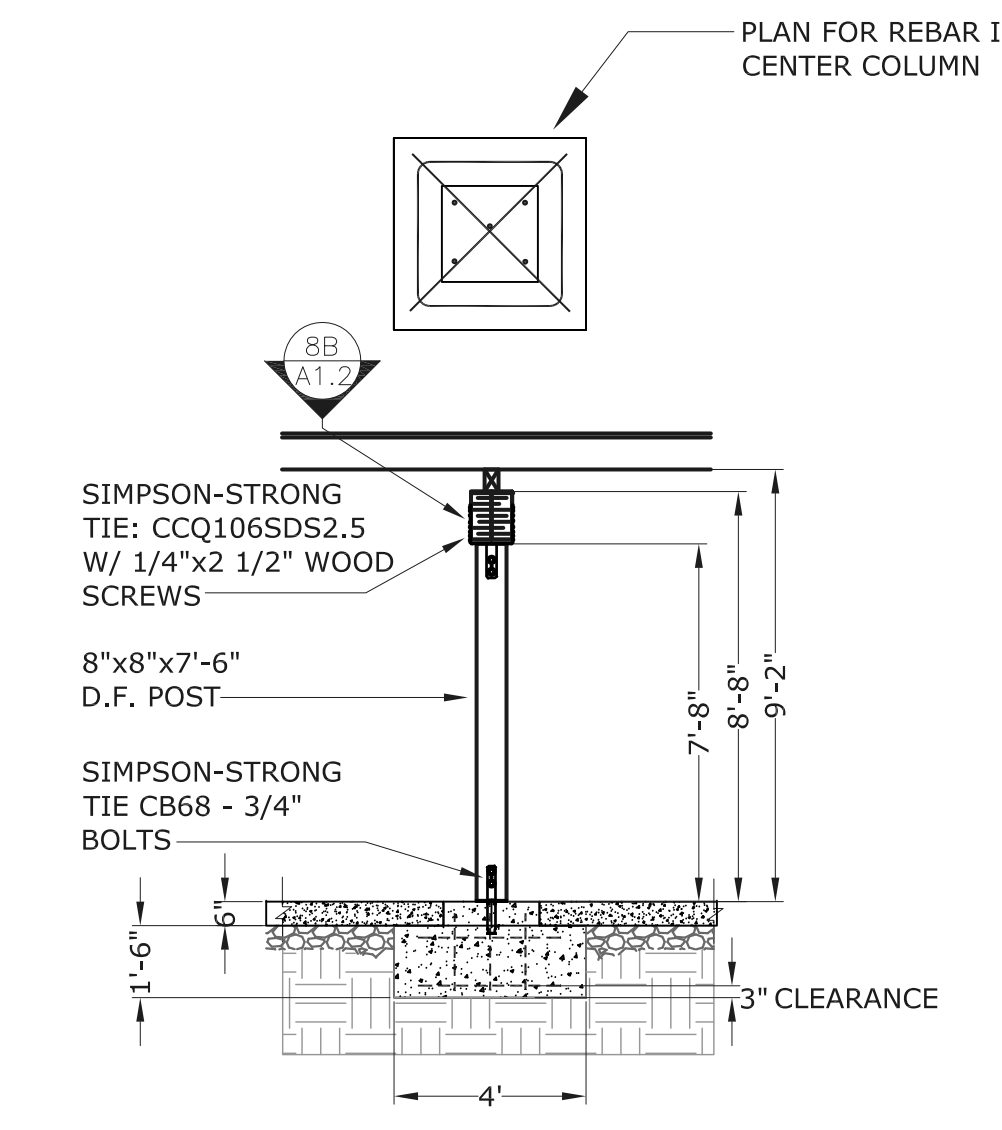
**ELEVATIONS - VERTICAL CEMENT
COLUMN MAIN BEAMS (SOUTH)**

SCALE: 1/4" = 1'-0"
FILE: L:\

**SECTIONS NEW FOOTING - STAIRS
MAIN 5 1/8" x 12" GLULAM BEAMS**

SCALE: 1/4" = 1'-0"
FILE: L:\

SCALE: 1/4" = 1'-0"
FILE: L:\



**NOTE:
ENGINEER OBSERVATION
REQUIRED FOR NEW
FRAMING FOOTINGS.**